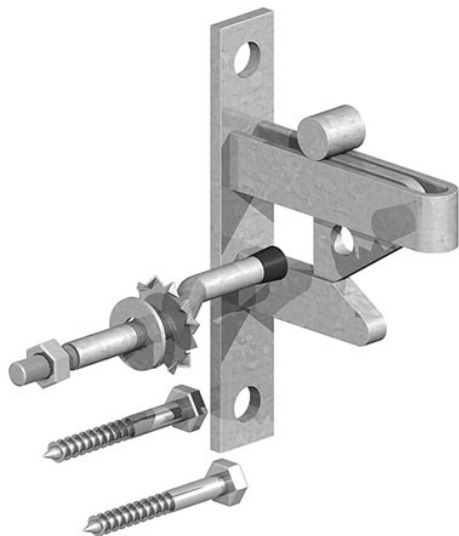


## Field gate catch



**Price: £22.50**

**SKU:** FGCG

**Product Categories:** [Field Gates](#), [Gate Fittings](#), [Gates](#)

**Product Tags:** [Field gate](#), [galv](#), [gate catch](#)

**Product Page:** <https://lemonfencing.co.uk/product/field-gate-catch/>

### Product Summary

- Self locking field gate catch with double leg striker - Galvanised.

No minimum order quantity for Del Area A

Not available for delivery in Del Area B

CHECK MY DELIVERY AREA

### Product Description

#### DELIVERY / USEFUL INFORMATION

An approximate date for delivery will be given a couple of days after placing your order, either by phone or email.

There must be available parking, if there are parking constrictions, please make us aware as this may incur a charge.

We try to give either an AM or PM time slot for our deliveries, as we cannot always give a specific time of delivery.

Our trucks are tracked, so if you would like a more specific time, please phone on the day of delivery or the day before.

## Product Attributes

- Dimensions: 200 &times; 130 &times; 50 mm
- Weight: 0.0000 kg