

Assembly guide for Albany 703 Bikestore

RECOMMENDED TOOLS: HAMMER, POZIDRIVE SCREWDRIVER (BATTERY OPERATED IS USEFUL), STANLEY KNIFE, SAW, PROTECTIVE GLOVES.

ESTIMATED ASSEMBLY TIME: TWO PEOPLE, 2-3 HOURS.

WE RECOMMEND PILOT DRILLING SCREW HOLES FIRST

PARTS LIST	E: 2 x roof sections
A: 1 x floor section	F: nail & screw pack
B: 1 x plain gable end	G: 1 x 4.0m felt roll
C: 2 x plain sides	I: 1 x trim pack
D: 1 x door gable end	J: 2 x diamond finials

1. Treat the underside of the floor if the building has been supplied untreated. Lay the floor panel (A) in its desired position (remember to leave enough space around the building for roof overhang and maintenance). It is essential the floor is on a solid level base, otherwise the building will not fit together properly and the door may not fit flush. Place the panels around the floor - it will help you understand how they fit together.

2. Position the plain gable end (B) on the back edge of the floor (the lip on the bottom overhangs the floor). While your assistant holds the gable, place a plain side (C) on the floor to form a corner. Making sure the panels are sitting flat on the floor and are butted together, screw through the plain gable end into the side from the inside using two of the screws provided.

3. Select the second plain side (C) and place it on the floor opposite the other one. Screw to the plain gable end as before with two screws, again making sure the sections are flat on the floor.

4. Before fitting the door gable (D), open the slide bolt. Screw the door gable to both sides from the inside as before.

5. Place the roof sections (E) on the building with the overhanging lip at the top on both sections (at the apex). Before the next step, check that the roof is square and sitting flat on the sides - if not it is possible the floor is not level and will need packing in one corner.

6. With the roof square, check that the sides and gables are sitting flat on the floor. Screw the panels to the floor using at least two screws per panel, ensuring that you screw into a floor joist (follow the lines of nails in the floor to locate the joists for (B) & (D), (C) will run along a floor joist anyway).

7. Screw the two roof sections together and then secure it by nailing through the roof into the framing on the sides and gable ends.

8. Felt the roof using the small clout nails provided. Start by carefully removing the paper from the roll of felt, then roll it out on a flat surface and cut it into three equal strips (about 1300mm long). See felt plan overleaf for reference for next part. Place the first strip on the roof so it overhangs each end and approximately 50mm at the side, secure with three evenly spaced nails along the upper edge (you will cover this over with strip 3) then fold the 50mm overhang over the side of the roof and nail every 100 - 150 mm along the edge of the roof framing, working from the middle outwards. Repeat on the other side (strip 2). Place strip 3 along the middle of the roof so the overlap is equal either side, then nail down both edges (through the other felt) every 100 - 150mm, again working from the middle outwards. Fold over the loose ends of the felt and nail into the ends of the four pieces of roof framing (you will also have to nail the fascia boards into these, and the finials into the top two) and also at least one nail into the ends of the roof boards between the pieces of framing.

9. Open the trim pack and remove the four fascia boards. Nail them to the ends of the roof framing so they meet in the middle and overhang at the bottom, then trim the felt if necessary using a Stanley Knife. Nail on the diamond finials (J) at the apex (also into the ends of the roof framing), covering where the fascia boards meet (it is best to pre-sink the nails first on a flat surface so as not to split them).

10. Fix the corner strips (long narrow strips) to each outside corner using three nails per strip (nail at an angle into the framing).

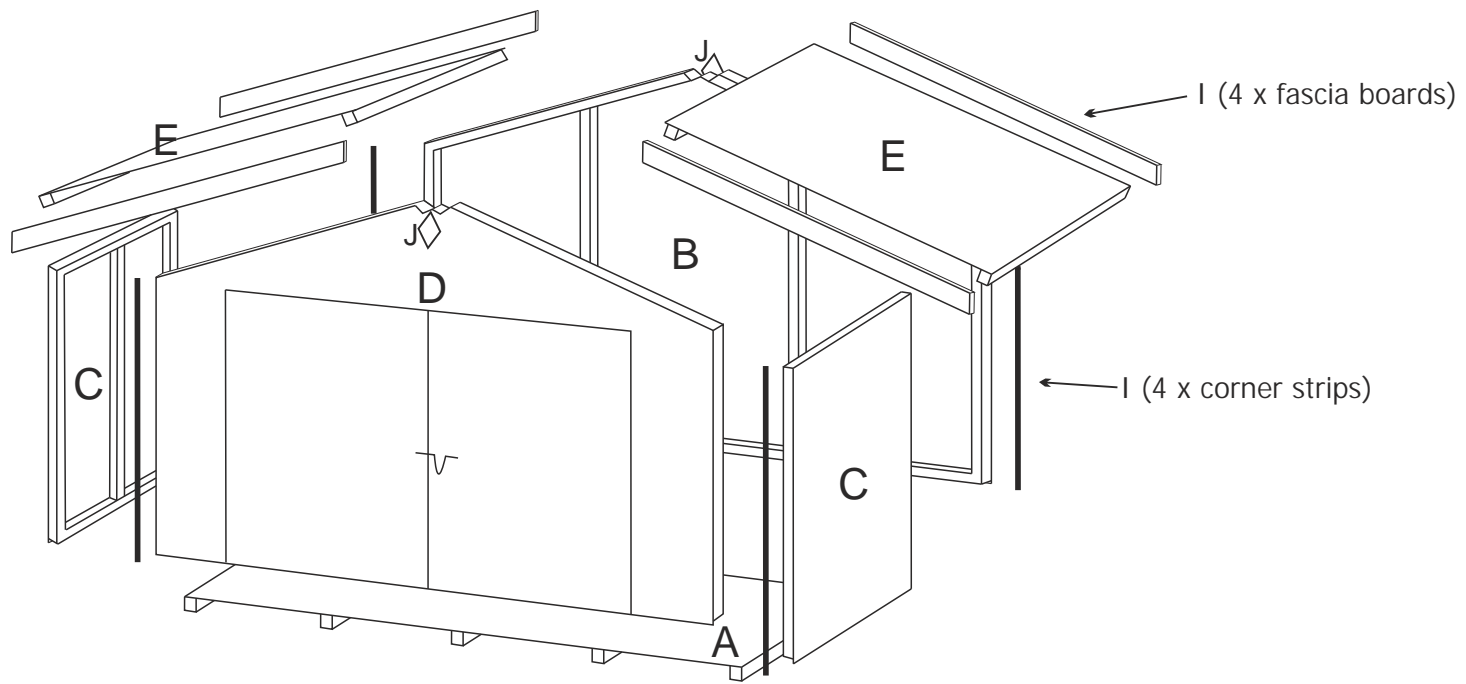
If your building has been supplied untreated, it requires treating straight away.

We recommend you re-treat your building within 6 months and from then on annually.

If you wish to maintain a similar colour, Albany Brown treatment can be ordered from your local retailer in 5 litre tubs.

These instructions are meant as a guide only. We reserve the right to alter design without prior notice.

Thanks for buying an Albany shed. www.albanysheds.co.uk



Felt plan

