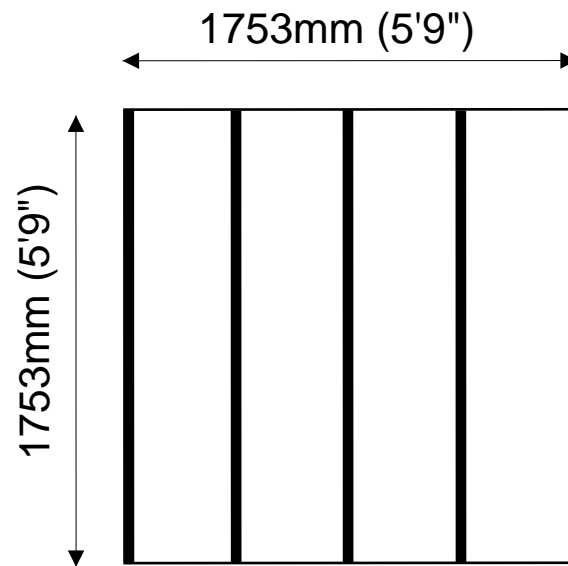


ALBANY SHED CO
FLOOR PLAN: 606 DUAL 1.8 x 1.8m approx.



If using bearers we suggest 4 at 6ft (1.8m)

We reserve the right to alter design without prior notice