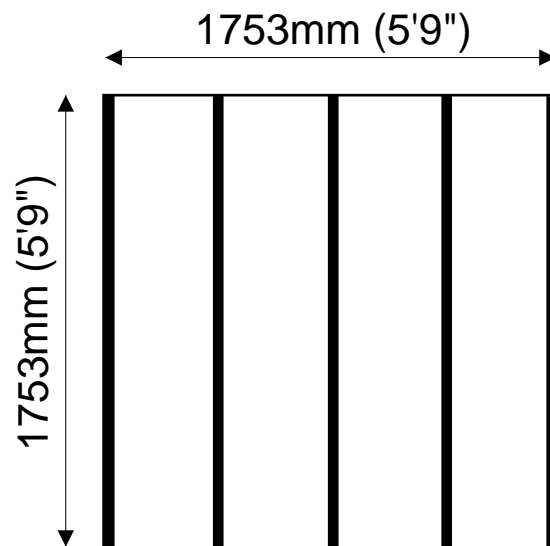


ALBANY SHED CO

FLOOR PLAN: 606 ELMCROFT 1.8 x 1.8m approx.



If using bearers we suggest 4 at 6ft (1.8m)
We reserve the right to alter design without prior notice