



How to put up a fence

CHOOSING THE MOST SUITABLE TYPE OF FENCE FOR YOUR NEEDS

Panel Fences

Used for:

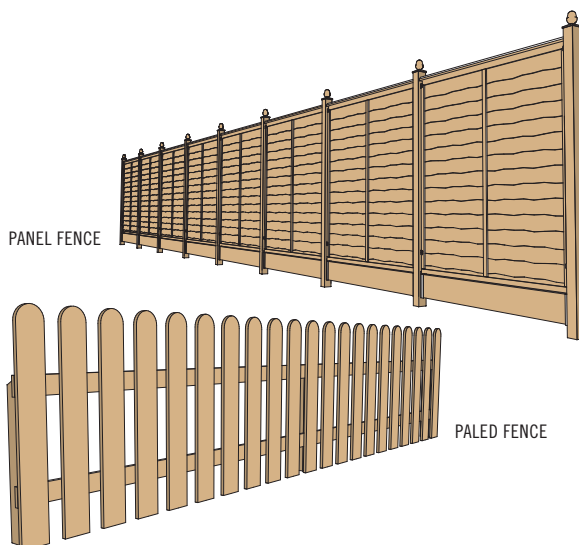
- privacy
- marking boundaries
- screening unsightly areas

Paled Fences

Used for:

- marking boundaries
- decorative boundaries

Whatever type you choose, the basic installation techniques are the same.



Tools required:

- Tape measure
- Spade
- Saw
- Power drill
- Spirit level
- Hammer
- Pencil
- String Line

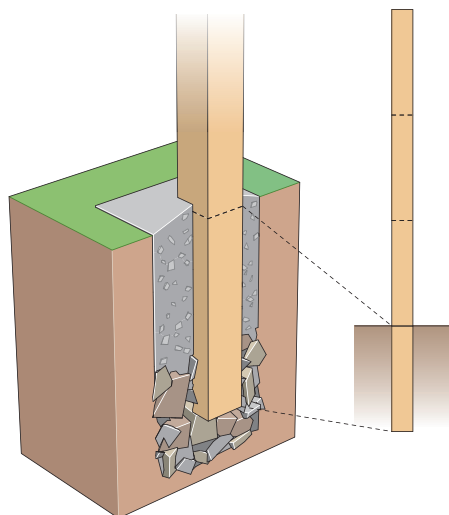
Materials required:
Will depend on the type of fence and type of installation you decide upon. See below for the basic requirements.

INSTALLING YOUR POSTS

INSTALLING POSTS DIRECTLY INTO THE GROUND

If the posts are to be installed directly into the ground ensure that 1/4 of the total height of the post is below ground level.

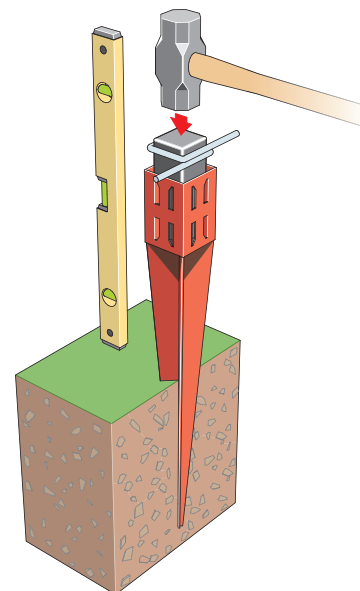
Hardcore or brick rubble can be used to fill the bottom of the hole. Top off the hole with a concrete mix such as **MetCrete**.



INSTALLING POSTS USING METPOST POST SUPPORT SPIKES

Using a Metpost Driving Tool and a sledgehammer, drive the spike into the ground using short firm strokes. Regularly check the vertical alignment using a spirit level.

NB. when using spikes take care to avoid underground services.



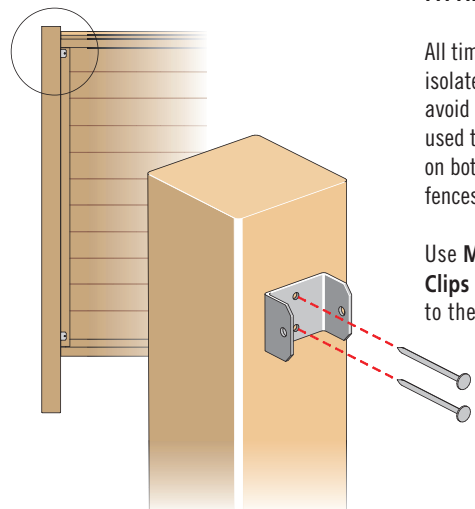
INSTALLING YOUR FENCE

INSTALLING FENCE PANELS

Attach **Metclips** to the post using galvanised nails.

Locate a panel into the Metclips and attach also using galvanised nails.

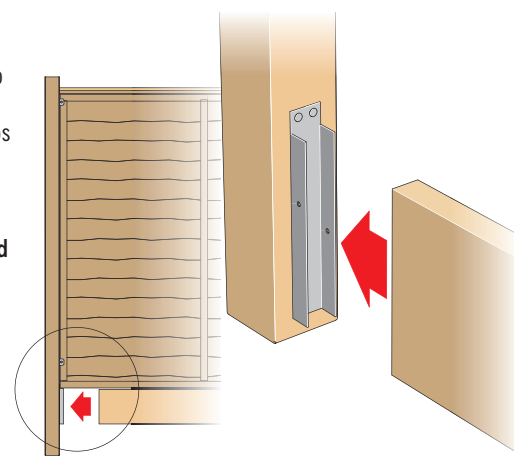
Install another post at the end of the panel and continue in this way until the fence is complete.



FITTING GRAVEL BOARDS

All timber panels should be isolated from ground level to avoid rot. Gravel boards are used to fill the resulting gaps on both level and sloping fences.

Use **Metpost Gravel Board Clips** to attach the boards to the posts as shown.



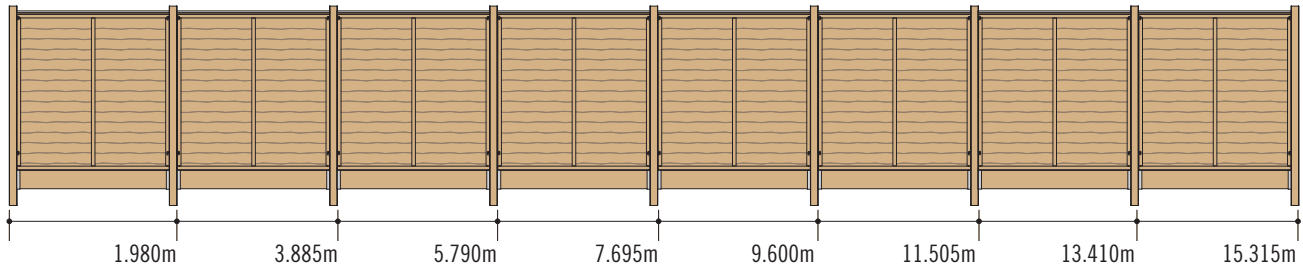
PLANNING YOUR FENCE

Install your first post using one of the fixing methods shown previously. Attach a string line to the post, take to the furthest position in the run, and fix in place.

The diagram below uses standard 1.83m wide x 1.8m high panels and 75mm posts. Where a dimension falls short of the sizes shown below, a reduced size panel will be required. The method for reducing the size of a panel is shown in Harry's Tip (below).



Plan for any reduced size panels to be situated at the remotest part of the fence.

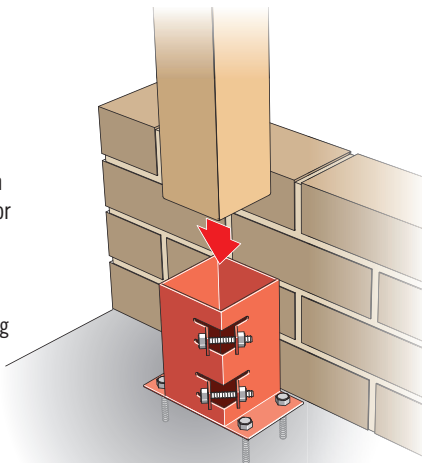


INSTALLING POSTS USING METPOST BOLT DOWN SUPPORTS

Ideal for use on existing concrete areas, patios and decks. Its flush fit design also allows for use on or directly against walls

To install, use the Bolt Down as a template to mark holes for drilling then secure to the surface using four Metpost Anchor Bolts.

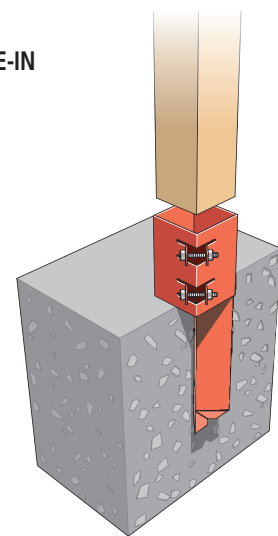
NB. the Bolt Down is not recommended for use on tarmac.



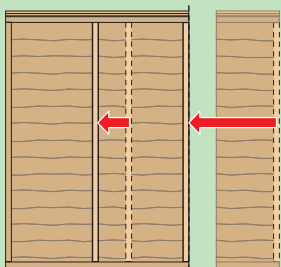
INSTALLING POSTS USING METPOST CONCRETE-IN POST SUPPORTS

Set the Metpost Concrete-In into a 450mm (18") cube of concrete checking the alignment frequently during installation.

Once the concrete has set, the post can be fitted into the Concrete-In.



Fit the last post in the run, measure the gap, cut the final panel to fit.

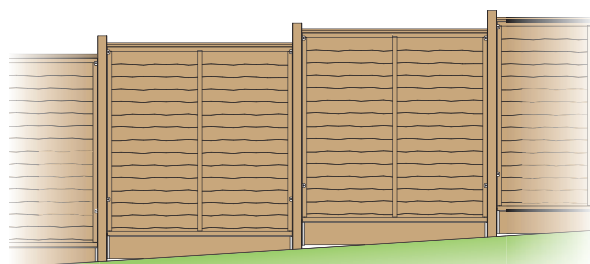


Cut and re-position vertical struts as shown

SLOPING FENCES

Fences on a sloping ground need to step-up in relation to the slope.

Ensure that the post length accounts for the step and fit gravel boards to fill any large gaps at the base.



FINISHING TOUCHES

Attach a post cap or finial to the top of each post for a professional touch and to protect the top of the post from weather.

