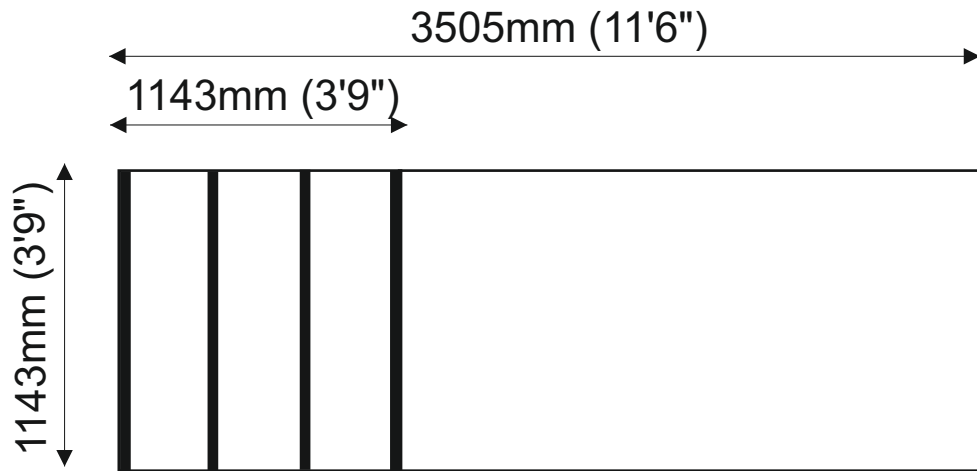


ALBANY SHED CO

FLOOR PLAN: 1204 LAUGHTON 3.6 x 1.2m approx.



We reserve the right to alter design without prior notice