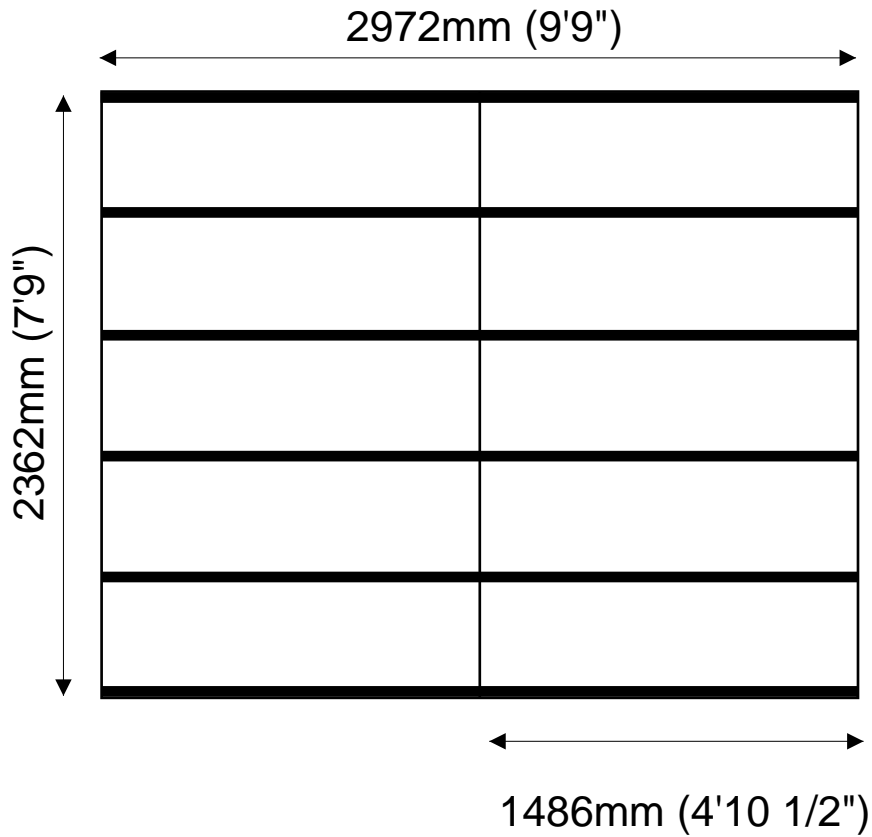


ALBANY SHED CO
FLOOR PLAN: 1008 FARNDON 3.0 x 2.4m approx.



If using bearers we suggest 5 at 8ft (2.4m)

We reserve the right to alter design without prior notice